

## IR1000~3000, Precision Regulator IR1020-F01

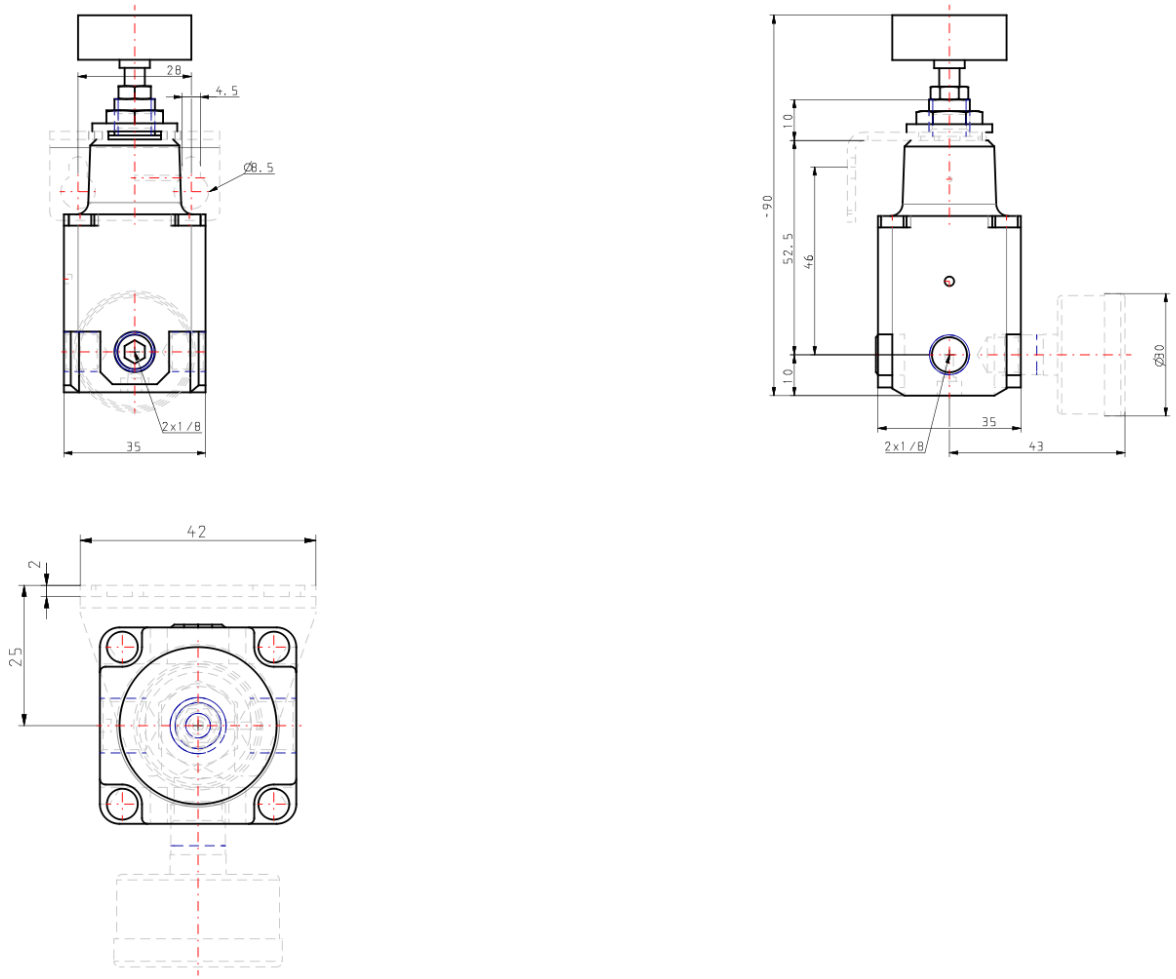
### Data Sheet

Series IR Precision Regulators are designed to be compact and light weight. The maximum set pressure has been expanded from the conventional 0.7MPa to 0.8MPa. Relief flow has been increased by nearly 5 times (compared to SMC IR201, IR401). The optional bracket and pressure gauge can be mounted on either the front or back of the unit.

## Standard Specifications

Body Size	IR1000
Type of Setting	Handle
Set Pressure	IR1000/2000) or 0.01~0.8MPa (IR3000
Thread	PF
Port Size	IR1000 Only
Accessory	None
Suffix 1	Standard
Suffix 2	None
Made to Order	None
Switch Specifications	None
Pressure medium	Air
Maximum temperature of pressure medium	60 °C
Minimum temperature of pressure medium	-5 °C [with no freezing]
Maximal operating pressure	1.0 MPa
Minimum operating pressure	+0.05 Mpa
Maximum ambient temperature	60 °C
Maximum ambient temperature with magnet	-5 °C [with no freezing]
Conform to the European RoHS Directive	Conform
Approvals	No need
Sensitivity	Within 0.2% of full span
Repeatability	Within 0.5% of full span
Set pressure range	0.01 - 0.8 MPa
Linearity	Within 1% of full span
Air consumption (At supply pressure of 1.0 MPa)	4.4 l/min (ANR) or less
Input signal pressure	0.01 - 0.8 Mpa
Weight	0.140 kg

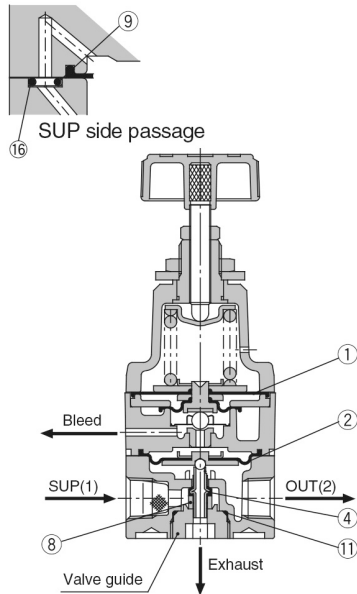
# Dimensions



# Constructions

## Construction

### IR1000



### Replacement Parts

No.	Description	Material	IR10□0	
			Part no.	Qty.
1	Diaphragm assembly	NBR, other	P362010-1	1
2	Diaphragm assembly	NBR, other	P362010-2	1
3	Diaphragm	NBR, other	—	—
4	Valve	Stainless steel, NBR	P36201058	1
5	Valve	Stainless steel, NBR	—	—
6	Valve	Brass, NBR	—	—
7	Valve	Brass, NBR	—	—
8	Damper	NBR, other	P36201021	1
9	O-ring	H-NBR	ø2.5 x 1.05	3
10	O-ring	NBR	—	—
11	O-ring	NBR	ø10 x 1.3	1
12	O-ring	NBR	—	—
13	O-ring	NBR	—	—
14	Seal (A)	NBR	—	—
15	Seal (B)	NBR	—	—
16	Fixed throttle	Stainless steel	P36202018	1
Repair kit no. (A set of above nos. ① to ⑮.)			KT-IR1000	

## Additional information

Catalogue

[IR1000-2000-3000-B\\_EU.pdf](#)

## Related Products



### G33-10-01

G(A)33, Pressure Gauge for General Purpose (O.D. 30)



AF10-60, Modular Style, Air Filter



AFM20-40, AFM Mist Separator



### Y200T

Y\*00, Spacer Attachment